



Hyeya

Simple and no-fuss-family of recessed & surface mounted fixtures with wide beam spread & multiple reflector finish options. Ideal for general lighting applications



Hyeya Flat - Features

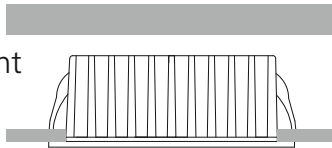
5 Sizes

Multiple sizes with lamp options available for various applications



Shallow Depth

Fixture designed for tight installations



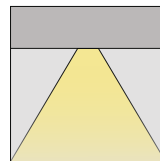
Unique Reflector Design

Inward curve design for optimum performance



Screen Lens

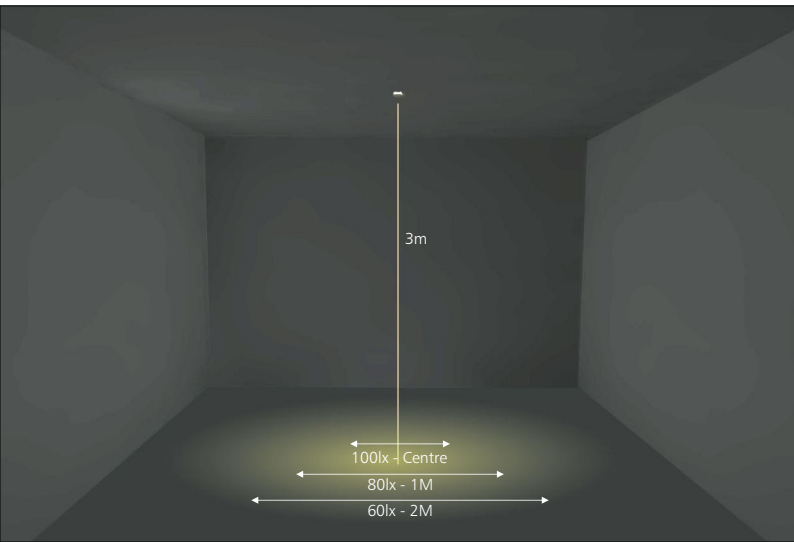
Providing a glare free experience using a special screen lens over the light source



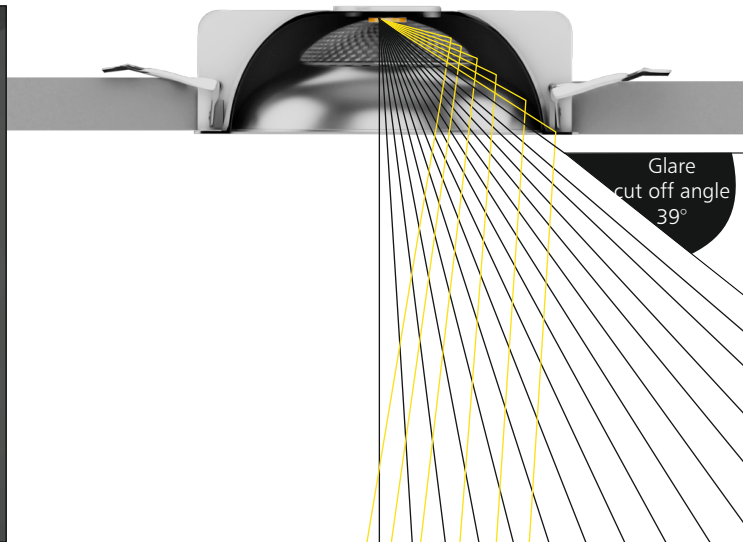
Uniform Light Distribution

Soft & uniform light distribution with wide beam spread

Lighting Effect with 60° optic

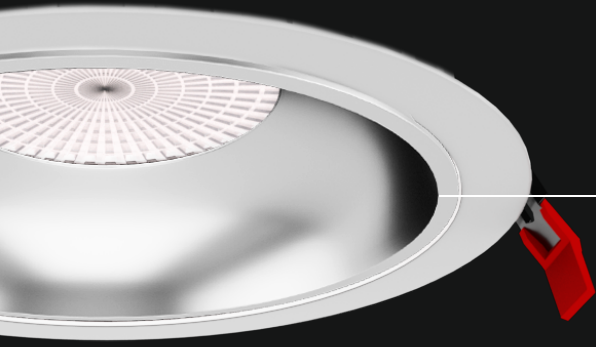


Glare cut off angle

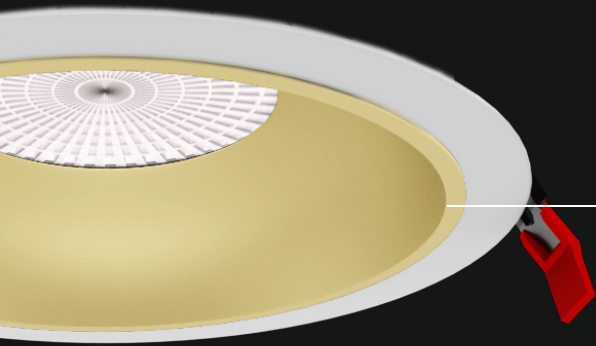




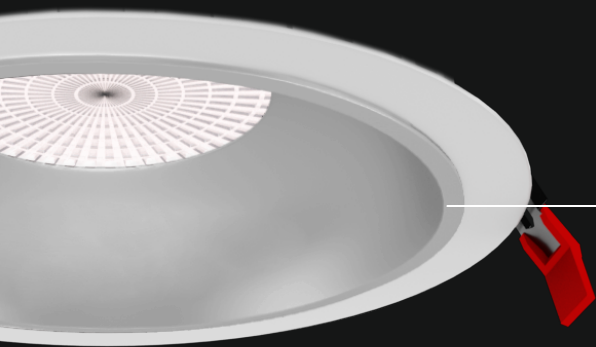
Pearl Black



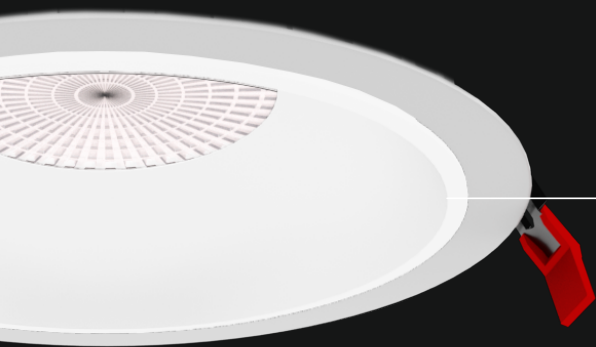
Specular



Matt Gold



Matt Silver

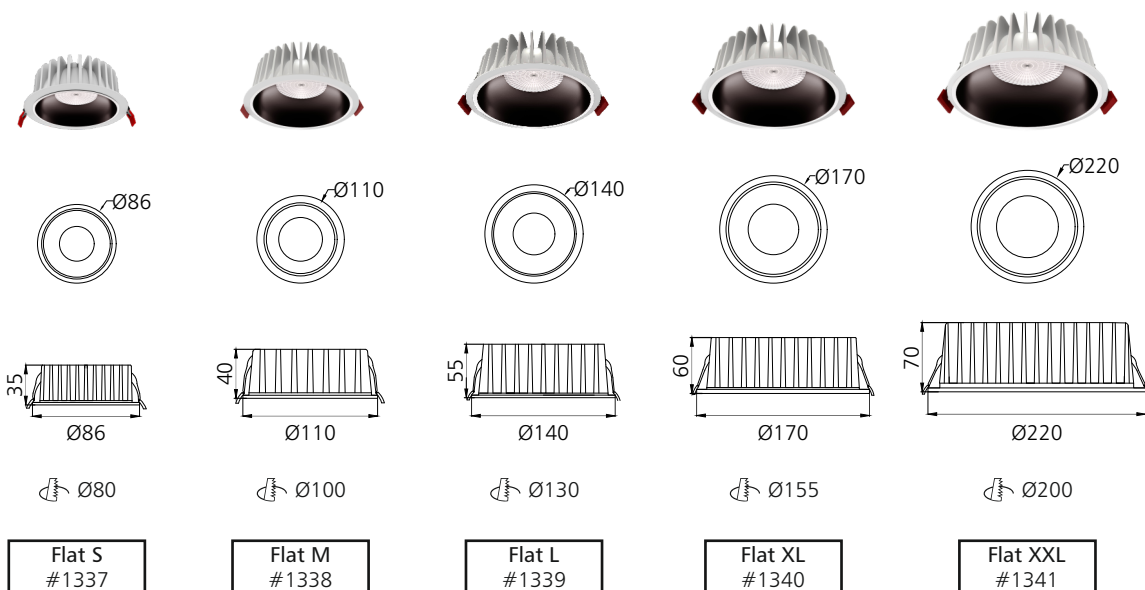


Matt White

Hyeya

LED	Typ CRI	Trim Finish	Reflector Finish	IP Rating	Dimming Options	Filter Options
Array 2 Step MacAdam L90-B10 60,000Hrs	95	Matt White Matt Black	Matt White Matt Black Specular Pearl Black Matt Silver Matt Gold	IP44	Non Dim Triac Analog Dali Dali Tunable RF Tunable	NA

Hyeya Flat



Power	10W - 250mA	15W - 350mA	20W - 500mA	30W - 750mA	40W - 1050mA
Lumen / CCT	825lm - 2700K 845lm - 3000K 875lm - 4000K Tunable White	1230lm - 2700K 1260lm - 3000K 1300lm - 4000K Tunable White	1660lm - 2700K 1705lm - 3000K 1755lm - 4000K Tunable White	2460lm - 2700K 2525lm - 3000K 2600lm - 4000K Tunable White	3305lm - 2700K 3390lm - 3000K 3490lm - 4000K Tunable White
UGR	< 19	< 19	< 19	< 19	< 19
Beam Angle	60°	60°	60°	60°	60°
Driver Placement	Remote	Remote	Remote	Remote	Remote



Pendant mounting option available on request

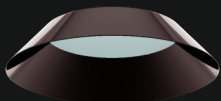
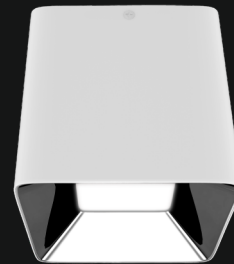
Round

Ø90x90mm
Ø110x120mm
Ø130x155mm
Ø170x185mm

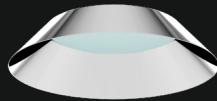


Square

90x90x90
110x110x120
130x130x135
170x170x165



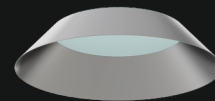
Pearl Black



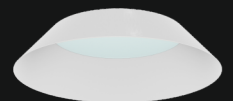
Specular



Matt Gold



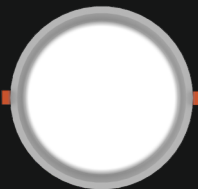
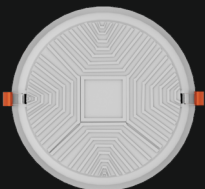
Matt Silver



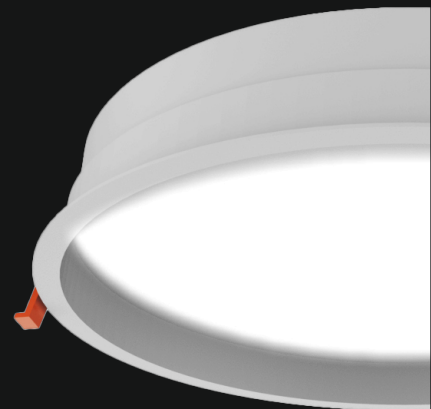
Matt White

Metallised & Matt reflector finishes are available in the entire range of Hyeya Surface

Basix Deep Round



Ø120xH40mm
Ø145xH40mm
Ø170xH40mm
Ø220xH40mm

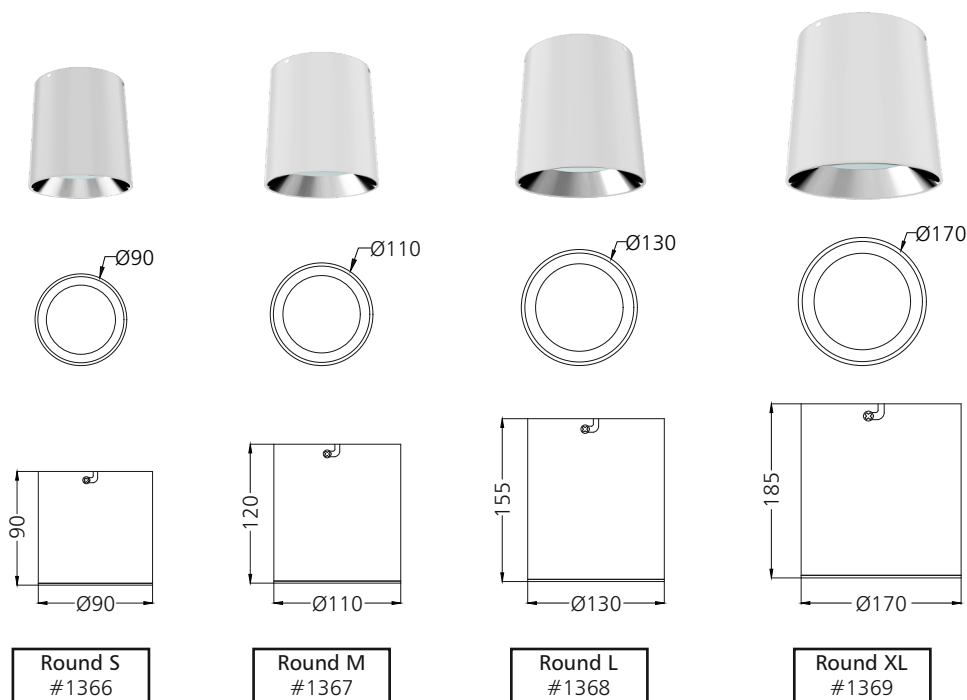


Back-lit LED with semi deep recessed high quality diffuser makes Hyeya Basix Deep the ideal choice for General Lighting applications

Hyeya

LED	Typ CRI	Body Finish	Reflector Finish	IP Rating	Dimming Options	Filter Options
Array 2 Step MacAdam L90-B10 60,000Hrs	95	Matt White Matt Black	Matt White Matt Black Specular Pearl Black Matt Silver Matt Gold	IP44	Non Dim Triac Analog Dali	NA

Hyeya Surface - Round

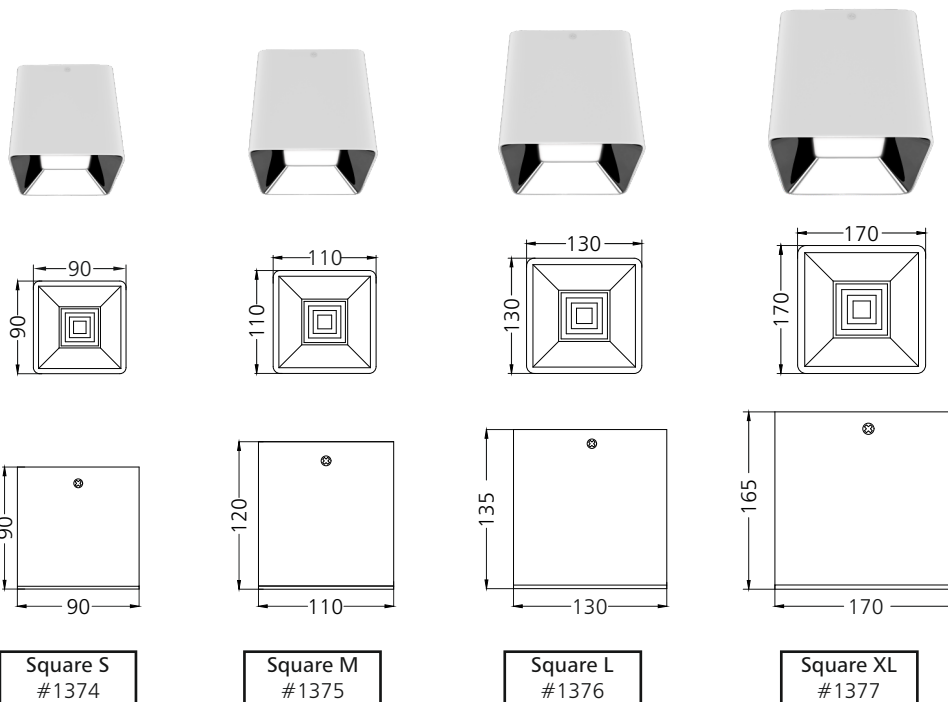


Power	10W - 250mA	15W - 350mA	20W - 500mA	30W - 750mA
Lumen / CCT	735lm - 2700K 750lm - 3000K 775lm - 4000K	1095lm - 2700K 1125lm - 3000K 1155lm - 4000K	1475lm - 2700K 1515lm - 3000K 1560lm - 4000K	2205lm - 2700K 2260lm - 3000K 2330lm - 4000K
UGR	<19	<19	<19	<19
Beam Angle	60°	60°	60°	60°
Driver Placement	In-built	In-built	In-built	In-built

Hyeya

LED	Typ CRI	Body Finish	Reflector Finish	IP Rating	Dimming Options	Filter Options
Array 2 Step MacAdam L90-B10 60,000Hrs	95	Matt White Matt Black	Matt White Matt Black Specular Pearl Black Matt Silver Matt Gold	IP44	Non Dim Triac Analog Dali	NA

Hyeya Surface - Square

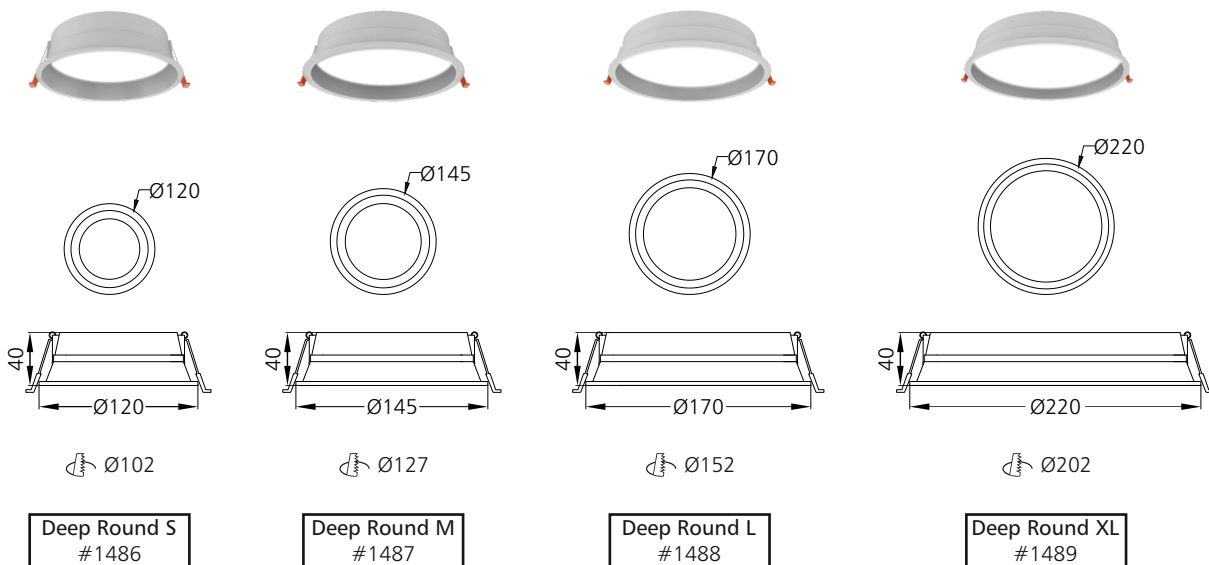


Power	10W - 250mA	15W - 350mA	20W - 500mA	30W - 750mA
Lumen / CCT	735lm - 2700K 750lm - 3000K 775lm - 4000K	1095lm - 2700K 1125lm - 3000K 1155lm - 4000K	1475lm - 2700K 1515lm - 3000K 1560lm - 4000K	2205lm - 2700K 2260lm - 3000K 2330lm - 4000K
UGR	<19	<19	<19	<19
Beam Angle	60°	60°	60°	60°
Driver Placement	In-built	In-built	In-built	In-built

Hyeya

LED	Typ CRI	Trim Finish	Interior Finish	IP Rating	Dimming Options	Filter Options
Array 3 Step MacAdam L90-B10 60,000Hrs	92	Matt White	Matt White	IP44	Non Dim Triac Analog Dali	NA

Hyeya Basix - Deep Round

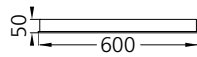
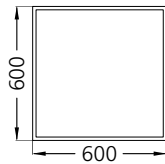


Power	7W - 300mA	16W - 300mA	24W - 300mA	32W - 300mA
Lumen / CCT	650lm - 3000K 670lm - 4000K 720lm - 6000K	1480lm - 3000K 1530lm - 4000K 1640lm - 6000K	2230lm - 3000K 2300lm - 4000K 2470lm - 6000K	2970lm - 3000K 3070lm - 4000K 3290lm - 6000K
UGR	<19	<19	<19	<19
Beam Angle	Diffused	Diffused	Diffused	Diffused
Driver Placement	Remote	Remote	Remote	Remote

Hyeya

LED	Typ CRI	Trim Finish	Interior Finish	IP Rating	Dimming Options	Filter Options
Array 3 Step MacAdam L90-B10 60,000Hrs	92	Matt White	NA	IP44	Non Dim Triac Analog Dali	NA

Hyeya Basix 2x2



2x2
#1484

Power	45W - 300mA
Lumen / CCT	4180lm - 3000K 4310lm - 4000K 4630lm - 6000K
UGR	< 19
Beam Angle	Diffused
Driver Placement	Remote